



# AVR-NT816A **AI**

NDAA COMPLIANT | CE | FC

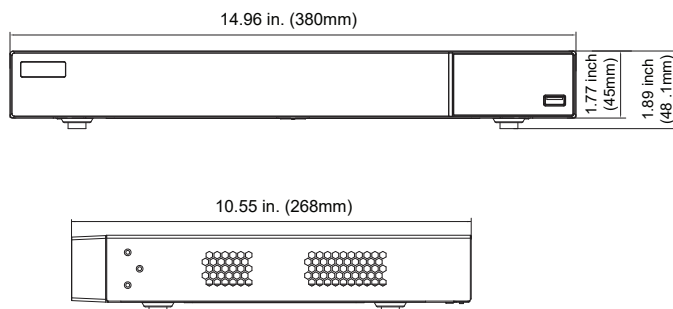
16 CH 4K UHD DIGITAL VIDEO RECORDER  
TVI/AHD/CVI 8MP / 5MP / 4MP / 1080P / 720P / WD1 video input

## OVERVIEW

- Supports Up to 16 CH  
TVI/AHD/CVI/8MP/5MP/4MP/3MP/1080P/720P/WD1 video input
- Supports 8CH 8MP/5MP/4MP/3MP/1080P/960P/720P IP video input
- Standard H.265 high profile compression format
- Intuitive and user-friendly Graphic User Interface (GUI)
- Multiple Recording Modes: Manual, Scheduled, Motion, and Sensor
- Playback: 8 Channels Simultaneous Playback
- Search: Search by Time Slice, Time, Event (Manual, Sensor, Motion), Tag Search
- Quick and Intuitive Backup via USB and Network
- Pentaplex Operation: Can simultaneously allow Preview, Record, Playback, Backup and Remote Access from Different Users
- Network functions such as DHCP, DDNS, PPPoE protocols supported and also access with CMS clients.
- Remote Access using Internet Explorer/Safari or CVMS: Live Preview, Playback, Backup, PTZ, and System Configuration
- Dual stream technology allows for High Quality Local Recordings and Standard Quality Video for Mobile and Remote Access
- Allows Simultaneous Online Users to Access Device
- Support PTZ Preset and Auto-Cruise, with Up to 255 Presets and 8 Cruise Paths
- Support NAT Function and QR Code Scanning by Mobile Apps, Eliminating the need to Configure Port Forwarding
- Powerful Mobile Apps on iOS and Android
- NDAA Compliant

## DIMENSIONS

Unit: (inch)mm



## MOBILE APP

AVY MOBILE ONE



## REAR PANEL



## SPECIFICATIONS

VIDEO	
Video Input (Analog + IP)	Total: 24 CH Analog: 16 CH IP: 8 CH (16 CH Max. IPC Supported When Converting Analog Channels)
Output	HDMI × 1 : 3840 × 2160 / 1920 × 1080 / 1280 × 1024 / 1024 × 768 VGA × 1 : 1920 × 1080 / 1280 × 1024 / 1024 × 768 BNC × 1 : CVBS ( used as the main or spot output)
HD-Analog Input Resolution	TVI/AHD/CVI: 4K, 5MP, 4MP, 3MP, 1080P, 720P, WD1 (live)
IP Input Resolution	4K / 5MP / 4MP / 3MP / 1080P / 960P / 720P
Incoming Bandwidth (Mbps)	32 (Max 64)
Outgoing Bandwidth (Mbps)	96
Video Compression	Standard H.264 / H.265
AUDIO	
Network Input	16 Channel IPC Audio Input
Local Input	RCA x 8
Local Output	RCA x 1
2-Way Audio	Take up channel one audio input
HDMI Audio Output	Yes
Compression	G.711(U/A)
RECORDING	
Resolution	4K / 4K Lite / 5MP / 5MP Lite / 4MP / 4MP Lite / 3MP / 1080P / 720P / WD1 / D1
Frame Rate Channels	5MP Lite @20fps (NTSC/PAL) / 4MP & 3MP @ 15fps(NTSC) & 12fps(PAL) / 4MP Lite / 1080P / 720P / WD1 / D1 @30fps(NTSC) & 25fps(PAL)
Frame Rate	30fps(NTSC) / 25fps(PAL)
Bit Rate	32Kbps ~ 8Mbps
Record Stream	Dual Stream Recording
Mode	Manual, Timer, Motion, Sensor
PLAYBACK	
Smart Search	Highlight Colors to Display Camera Record in a certain period of time, Different Colors refer to Different Record Events
Search	Time slice / Time / Event / Tag Search
Function	Play, Pause, Fast Forward, Fast Rewind, Digital Zoom, etc.
Simultaneous Playback	Max 16 Channels
Live/Playback	1 Channel @ 8MP / 16 Channels 1080P @ 30FPS
ALARM	
Alarm Input	16 Channels Local Alarm Input; IPC Alarm Input Supported
Alarm Output	4 Channels
Alarm Trigger	Manual, Motion, Exception, Smart Event
STORAGE	
HDD Interface	SATA x 2, Max 18TB per HDD; e-SATA x 1
BACKUP	
Network Backup	Yes
Local Backup	USB Flash Drive, USB Mobile HDD
NETWORK	
Interface	RJ45 1,000 Mbps x 1
Protocol	TCP/ IP, PPPoE, DHCP, DNS, DDNS, UPnP, NTP, SMTP, HTTP, HTTPs
EXTERNAL INTERFACE	
RS-485	Yes (Half-Duplex), Connect to PTZ or Keyboard
Remote Controller	Optional
USB	USB 2.0 x 2 (Front Panel), USB 2.0 x 1 (Rear Panel)
GENERAL	
Power Supply	DC 12V/4A
Power Consumption	≤30W (Without HDD)
Working Environment	14°~122°F (-10°~50° Celcius)
Working Humidity	10%~90% (Non-Condensing)
Dimensions	14.96" x 10.55" x 1.77" (380mm x 268mm x 45mm)

## HDD OPTIONS

- 1TB HDD: AVR-NT816A-1T
- 2TB HDD: AVR-NT816A-2T
- 3TB HDD: AVR-NT816A-3T
- 4TB HDD: AVR-NT816A-4T
- 6TB HDD: AVR-NT816A-6T
- 8TB HDD: AVR-NT816A-8T
- 12TB HDD: AVR-NT816A-12T
- 16TB HDD: AVR-NT816A-16T
- 18TB HDD: AVR-NT816A-18T
- 20TB HDD: AVR-NT816A-20T
- 24TB HDD: AVR-NT816A-24T
- 28TB HDD: AVR-NT816A-28T
- 32TB HDD: AVR-NT816A-32T
- 36TB HDD: AVR-NT816A-36T